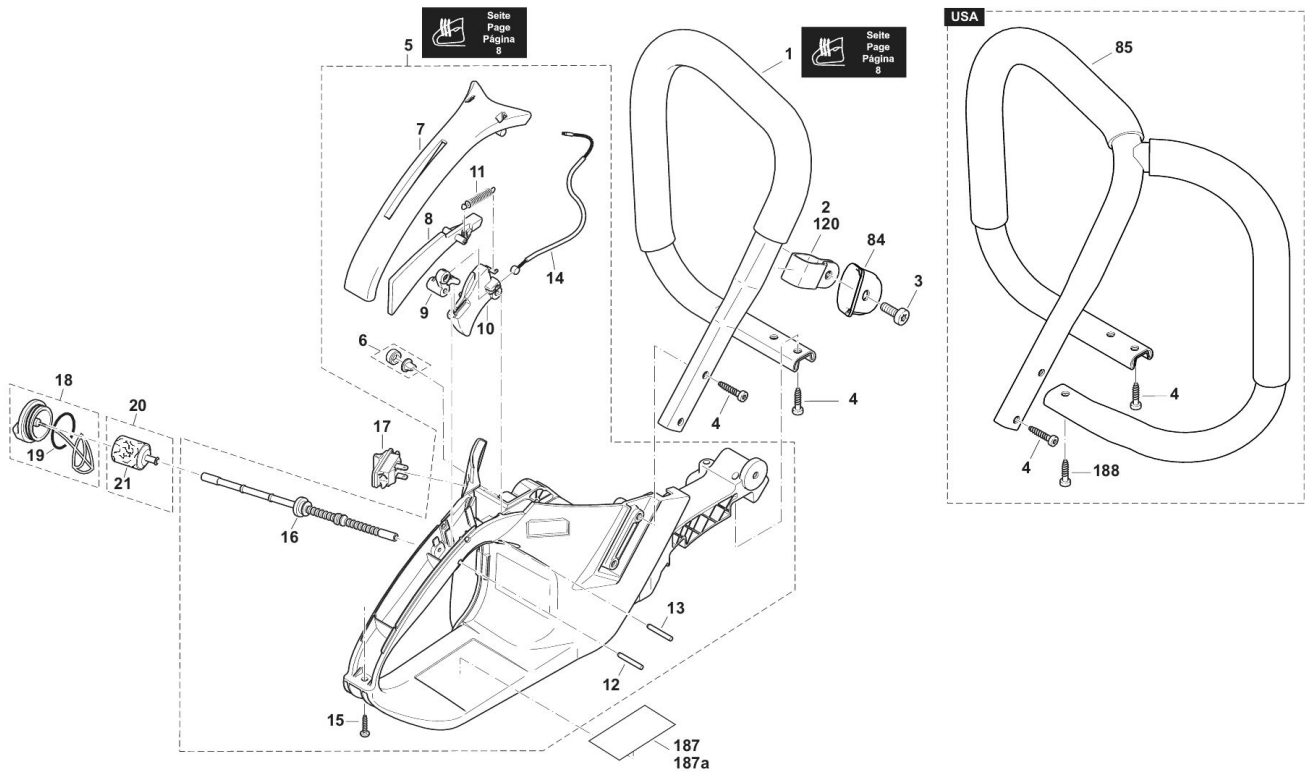


PS-630, PS-6400, PS-7300, PS-7900, PS-6400 HS,
 PS-7300 HS, PS-7900 HS, PS-6400 H, PS-7300 H,
 PS-7900 H, PS-6400 HS H, PS-7300 HS H, PS-7900 HS
 H, PS-6400 , PS-7300 , PS-7900 , PS-6400 H , PS-7300
 H , PS-7900 H , PS-6400 C , PS-6400 CH , PS-6400 HS
 (U)

1

Kraftstofftank, Bügelgriff
 Fuel tank, tubular grip
 Réserv. carburant, poignée tubulaire
 Depósito de combustible, mango tubular

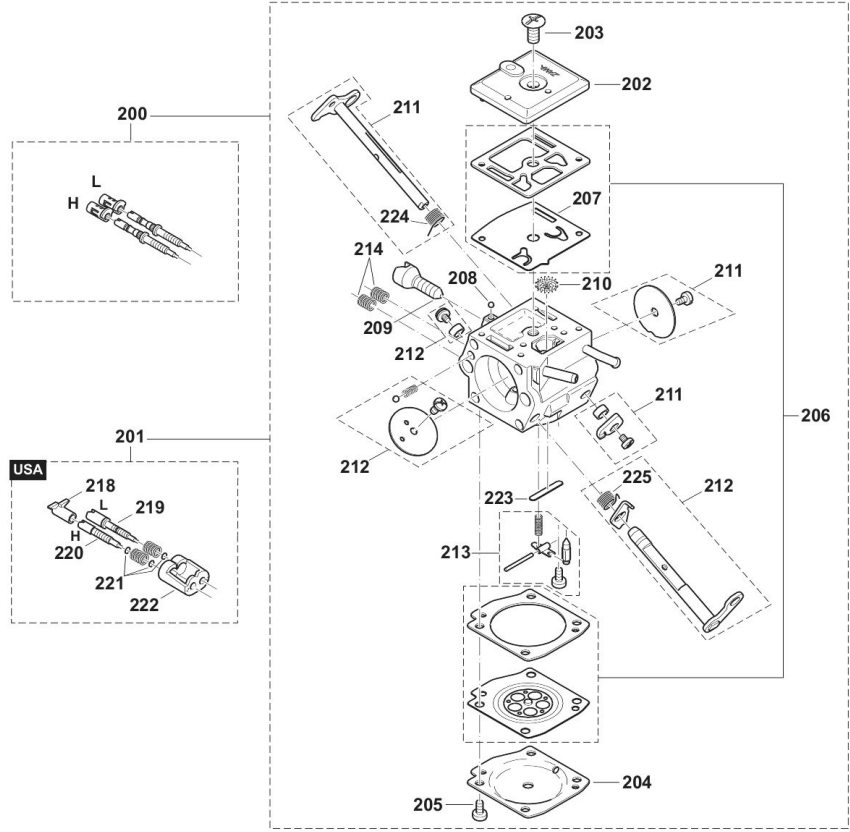
DOLMAR
 A member of the Tsubaki Group



PS-630, PS-6400, PS-7300, PS-7900, PS-6400 HS,
 PS-7300 HS, PS-7900 HS, PS-6400 H, PS-7300 H,
 PS-7900 H, PS-6400 HS H, PS-7300 HS H, PS-7900 HS
 H, PS-6400 , PS-7300 , PS-7900 , PS-6400 H , PS-7300
 H , PS-7900 H , PS-6400 C , PS-6400 CH , PS-6400 HS
 (U)

7

Vergaser
 Carburetor
 Carburateur
 Carburador

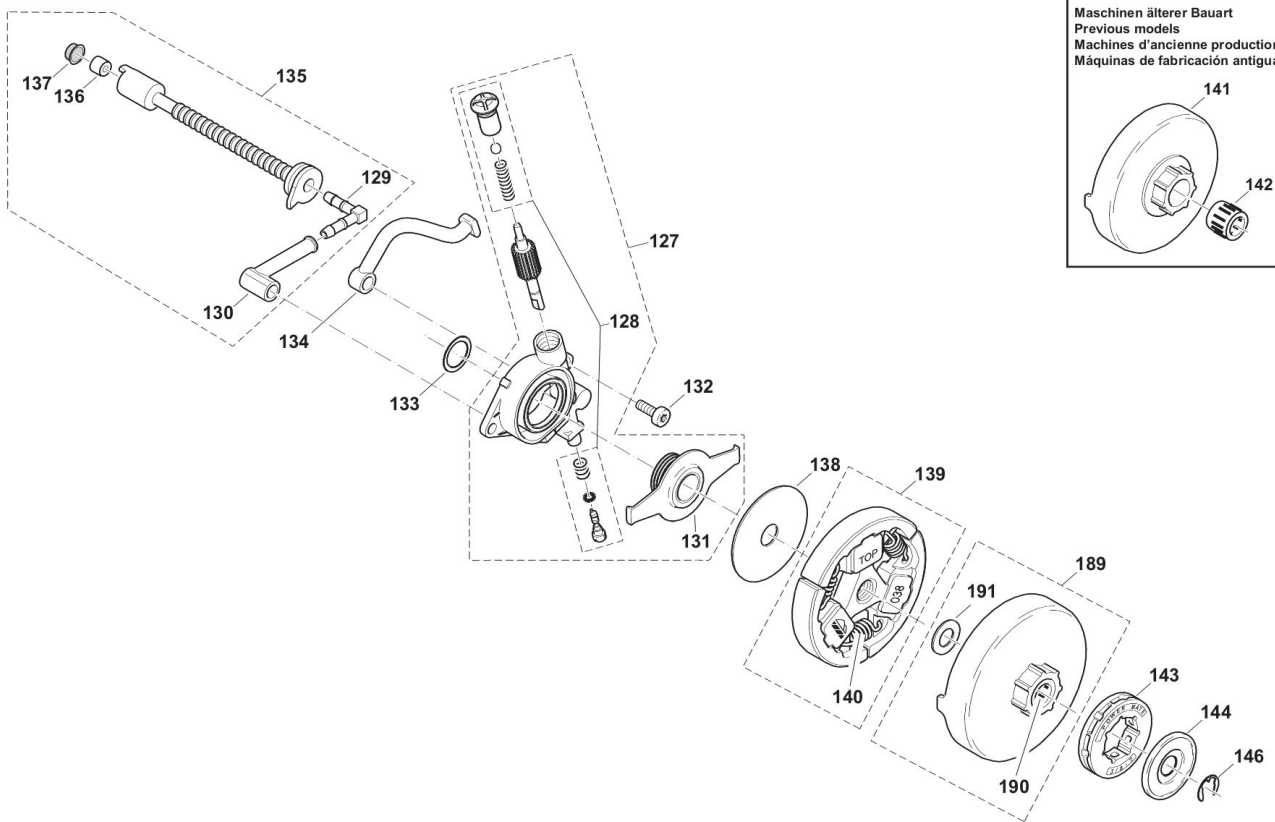


PS-630, PS-6400, PS-7300, PS-7900, PS-6400 HS,
 PS-7300 HS, PS-7900 HS, PS-6400 H, PS-7300 H,
 PS-7900 H, PS-6400 HS H, PS-7300 HS H, PS-7900 HS
 H, PS-6400 , PS-7300 , PS-7900 , PS-6400 H , PS-7300
 H , PS-7900 H , PS-6400 C , PS-6400 CH , PS-6400 HS
 (U)

5

Ölpumpe, Kupplung
 Oil pump, clutch
 Pompe à huile, embrayage
 Bomba de aceite, embrague

DOLMAR
 A member of the Makita Group

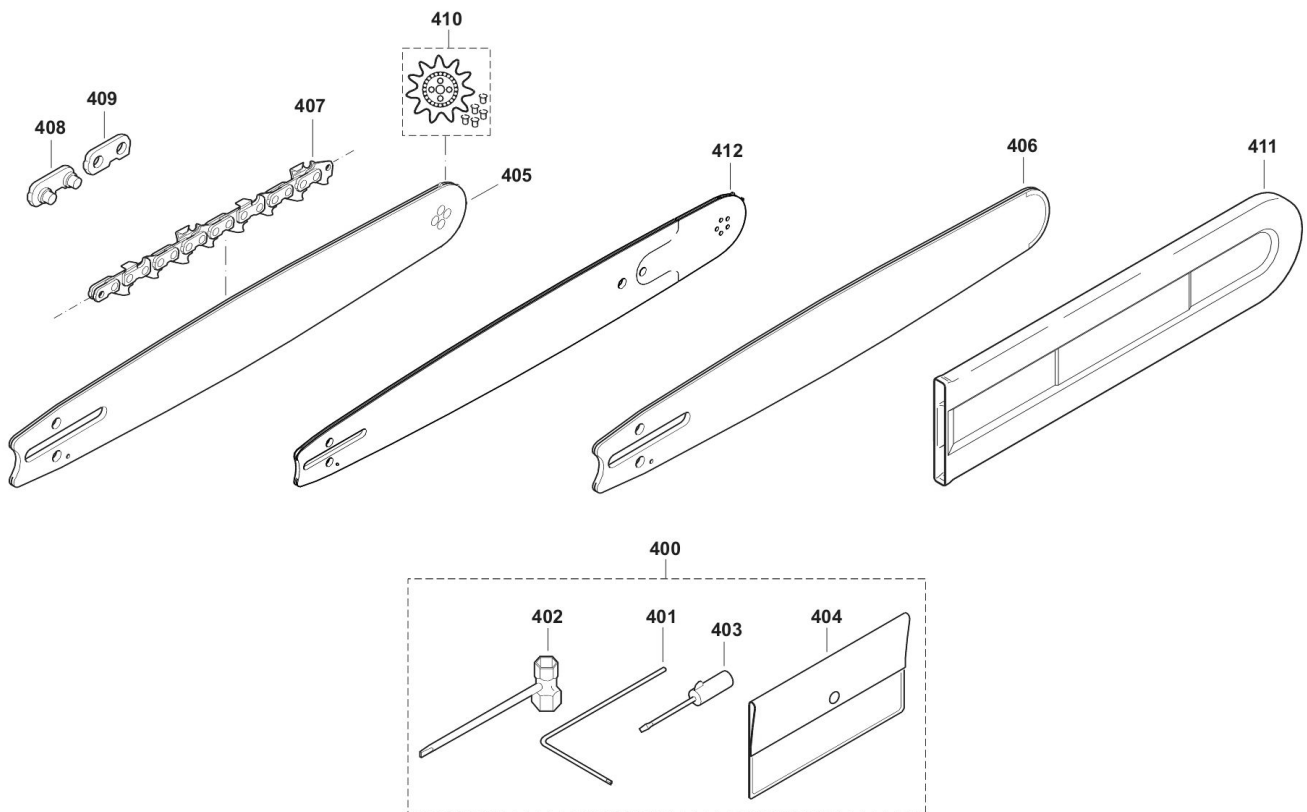


PS-630, PS-6400, PS-7300, PS-7900, PS-6400 HS,
 PS-7300 HS, PS-7900 HS, PS-6400 H, PS-7300 H,
 PS-7900 H, PS-6400 HS H, PS-7300 HS H, PS-7900 HS
 H, PS-6400 , PS-7300 , PS-7900 , PS-6400 H , PS-7300
 H , PS-7900 H , PS-6400 C , PS-6400 CH , PS-6400 HS
 (L)

9

Sägeschienen, Sägeketten, Werkzeug
 Guide bars, saw chains, tools
 Guide-chaîne, chaînes, outils
 Rieles guía, cadenas sierra, herramientas

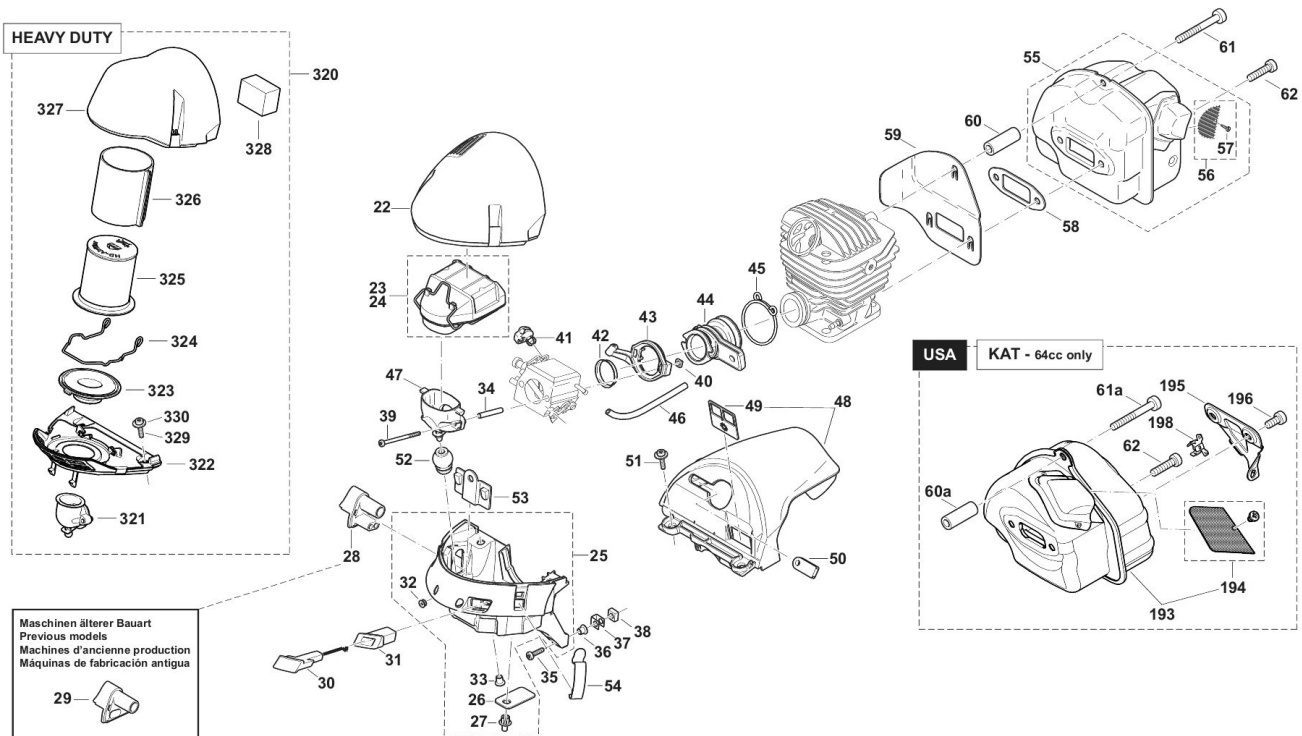
DOLMAR
 A member of the Tsubaki group



PS-630, PS-6400, PS-7300, PS-7900, PS-6400 HS,
 PS-7300 HS, PS-7900 HS, PS-6400 H, PS-7300 H,
 PS-7900 H, PS-6400 HS H, PS-7300 HS H, PS-7900 HS
 H, PS-6400 , PS-7300 , PS-7900 , PS-6400 H , PS-7300
 H , PS-7900 H , PS-6400 C , PS-6400 CH , PS-6400 HS
 (L)

2

Abdeckhaube, Luftfilter, Schalldämpfer
 Hood, air filter, muffler
 Capot protecteur, filtre à air, pot d'échappement
 Cubierta protectora, filtro de aire, silencioso

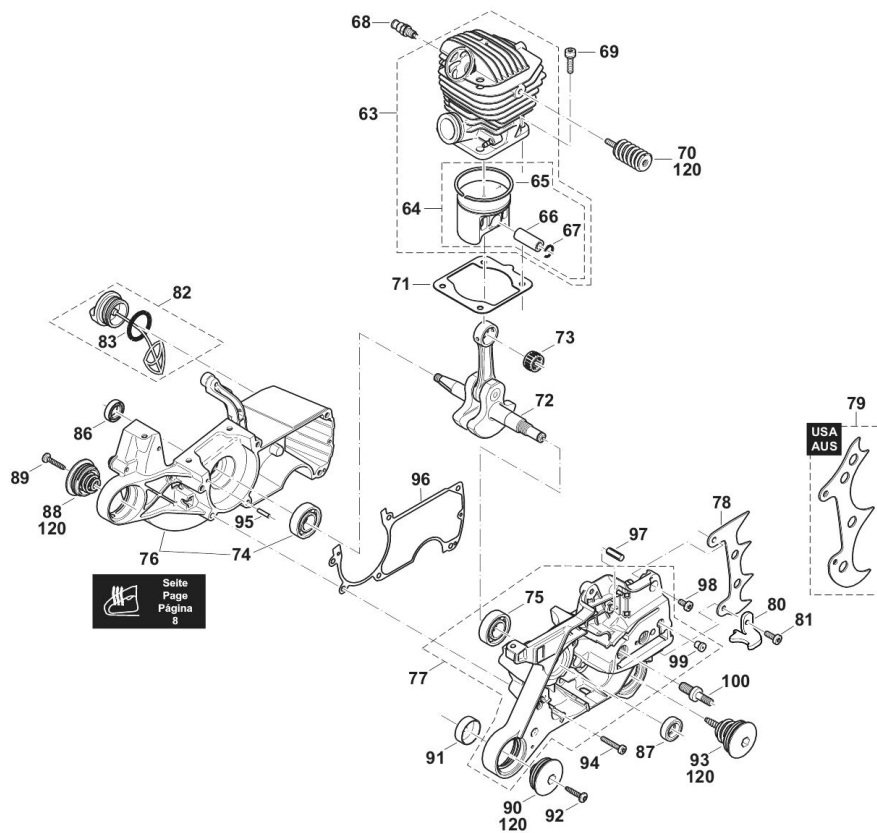


PS-630, PS-6400, PS-7300, PS-7900, PS-6400 HS,
 PS-7300 HS, PS-7900 HS, PS-6400 H, PS-7300 H,
 PS-7900 H, PS-6400 HS H, PS-7300 HS H, PS-7900 HS
 H, PS-6400 , PS-7300 , PS-7900 , PS-6400 H , PS-7300
 H , PS-7900 H , PS-6400 C , PS-6400 CH , PS-6400 HS
 (U)

3

Zylinder, Kurbelgehäuse
 Cylinder, crankcase
 Cylindre, carter-vilebrequin
 Cilindro, cárter cigüeñal

DOLMAR
 A member of the Tsubaki Group

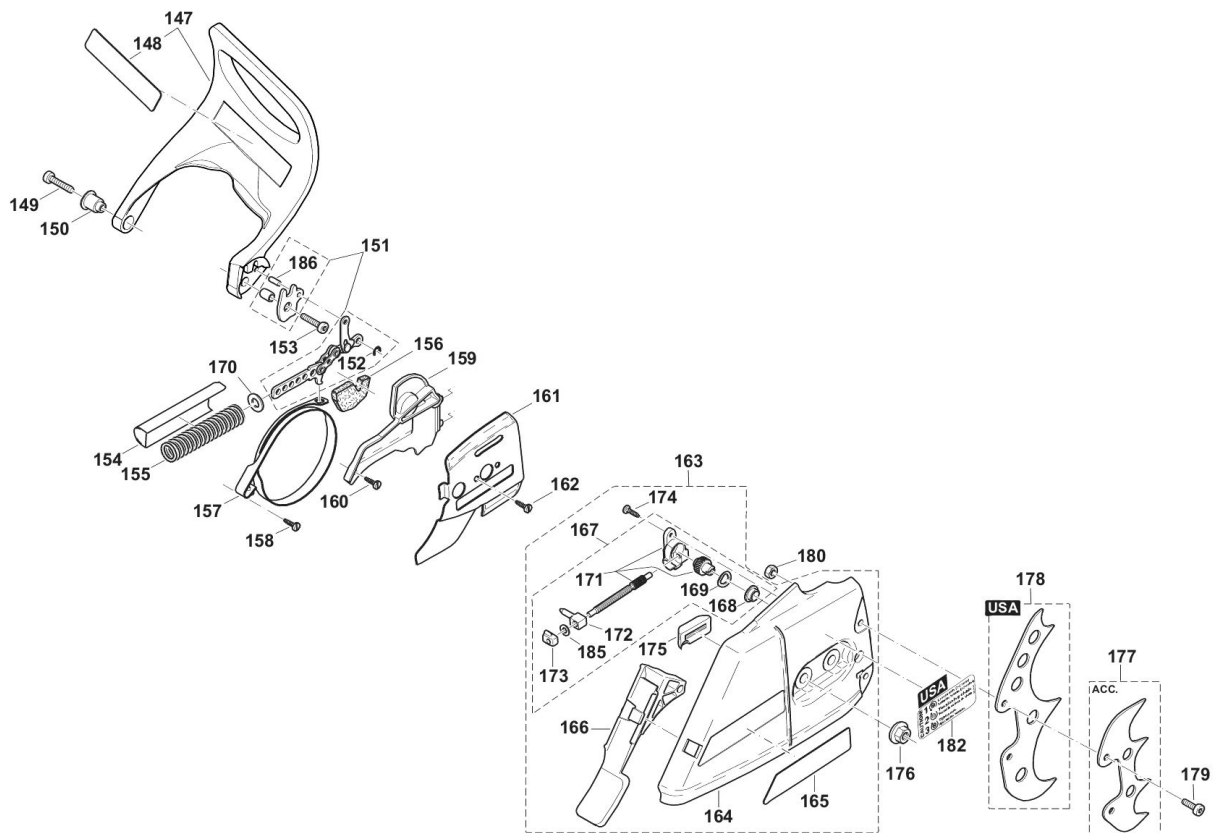


Seite
 Page
 Página
 6

PS-630, PS-6400, PS-7300, PS-7900, PS-6400 HS,
 PS-7300 HS, PS-7900 HS, PS-6400 H, PS-7300 H,
 PS-7900 H, PS-6400 HS H, PS-7300 HS H, PS-7900 HS
 H, PS-6400 , PS-7300 , PS-7900 , PS-6400 H , PS-7300
 H , PS-7900 H , PS-6400 C , PS-6400 CH , PS-6400 HS
 (U)

6

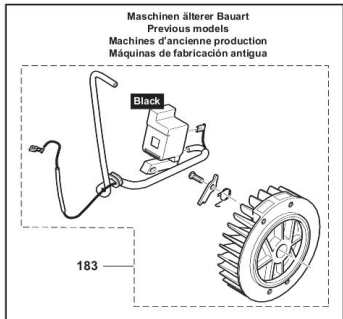
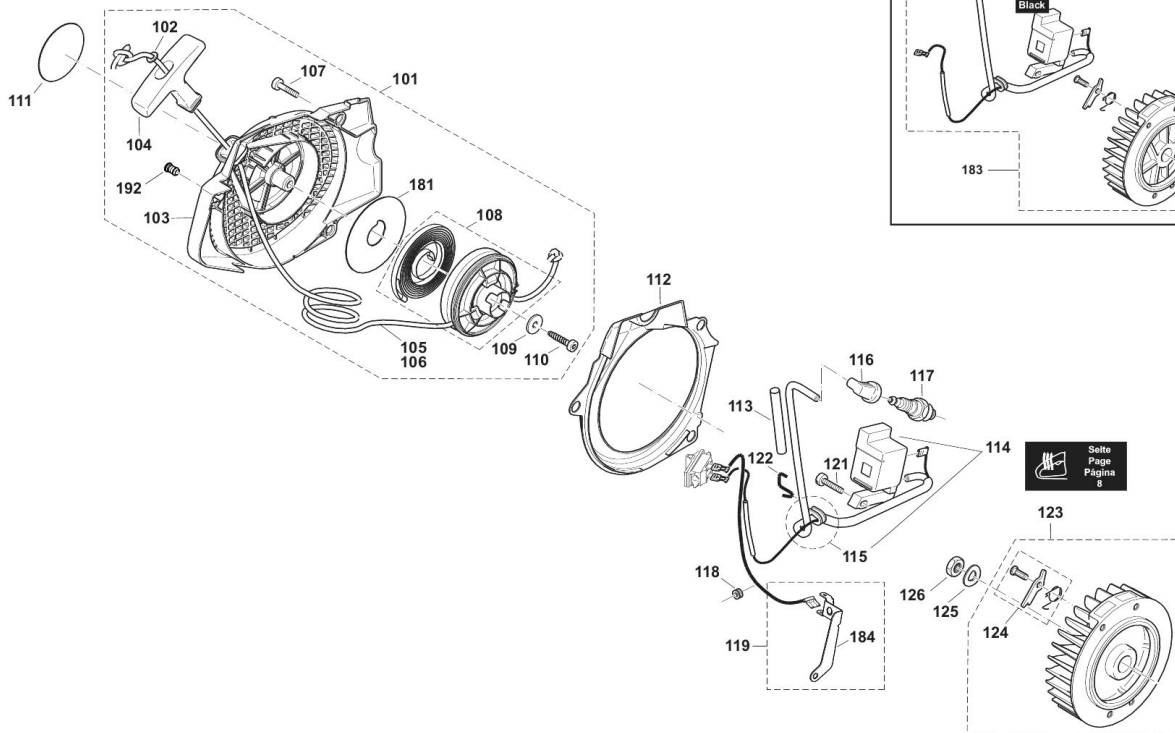
Kettenbremse
 Chain brake
 Frein de chaîne
 Freno de cadena



PS-630, PS-6400, PS-7300, PS-7900, PS-6400 HS,
 PS-7300 HS, PS-7900 HS, PS-6400 H, PS-7300 H,
 PS-7900 H, PS-6400 HS H, PS-7300 HS H, PS-7900 HS
 H, PS-6400 , PS-7300 , PS-7900 , PS-6400 H , PS-7300
 H , PS-7900 H , PS-6400 C , PS-6400 CH , PS-6400 HS
 (U)

4

Zündelektronik, Anwerfvorrichtung
 Ignition electronics, starter
 Allumage électronique, dispositif de démarrage
 Bobina encendido, dispositivo de arranque



Selte
 Page
 Pagina
 6